



INTRODUCING FIRST TIME EVER
HYGIENE DISH DRYER
FOR INTERNATIONAL MARKET



MANUFACTURED & DISTRIBUTED BY



A New International Brand from Asia is Rising



ABOUT US

PRIME KITCHEN EQUIPMENTS INDIA PVT LTD IS A DESIGN & BUILT COMPANY FOR COMMERCIAL KITCHEN & REFRIGERATION EQUIPMENTS BASED IN MUMBAI INDIA, WHICH WAS REGISTERED & INCORPORATED IN THE YEAR 2005. THE COMPANY HAS COMPLETED MORE THAN 1250 SUCCESSFUL PROJECTS NATIONWIDE & ABROAD. THE COMPANY IS AN ISO 9001:2008, MSME & ACCREDITED BY CRISIL RATINGS. THE COMPANY IS INVENTING NEW EQUIPMENTS FOR HOSPITALITY INDUSTRY AND HAS STARTED A NEW START-UP COMPANY BY THE NAME OF **PROCHEF INTERNATIONAL EQUIPMENTS LLP**. HYGIENE DISH DRYER IS FIRST TIME INTRODUCED FOR INTERNATIONAL MARKET AT AAHAR EXPO – 2017 IN NEW DELHI & MUMBAI.

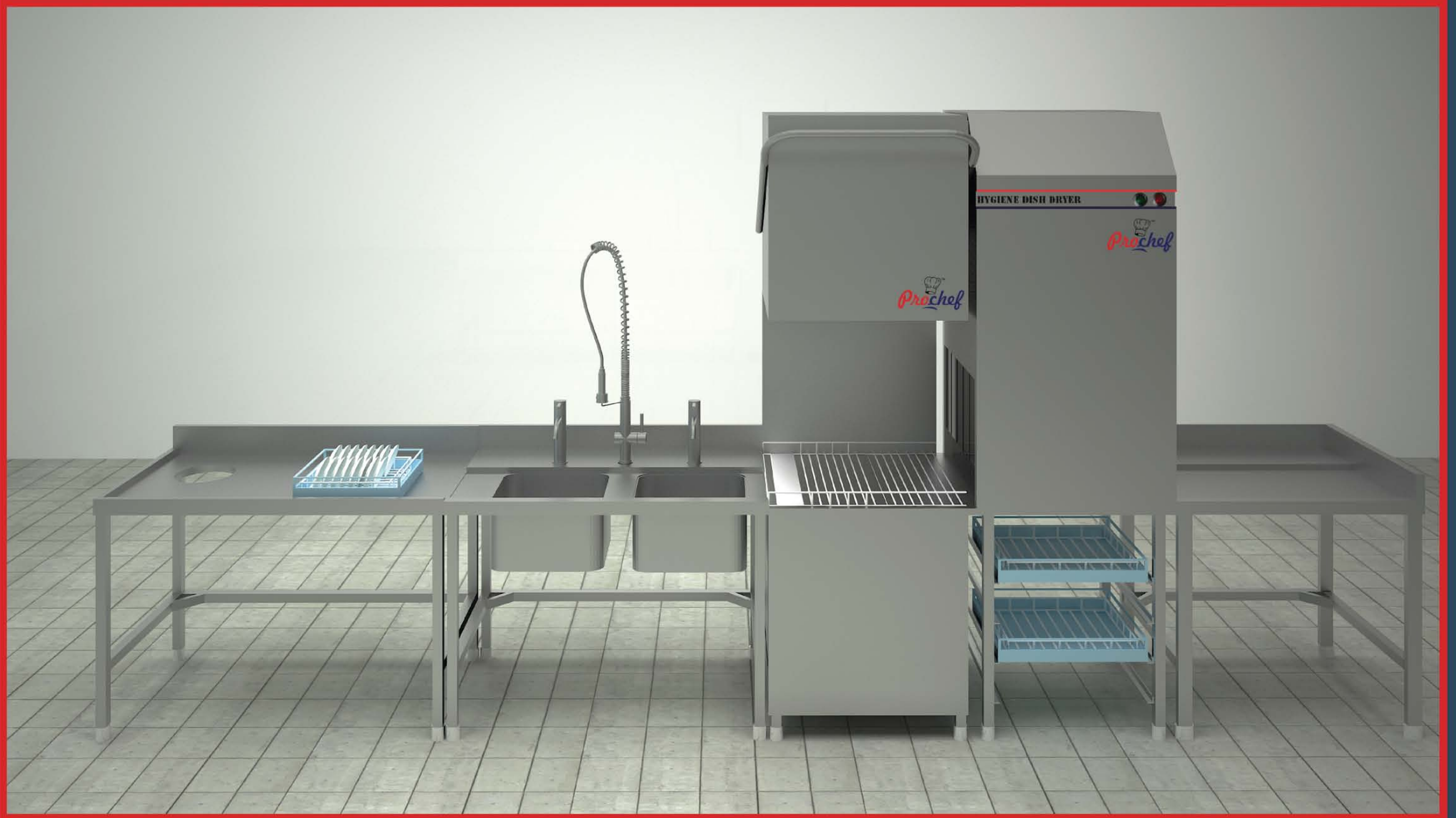
SPECIFICATION & USP –

- ◆ Overall Dimension : 750 x 750 x 1850 mm (L x W x H) in SS CNC Fabrication
- ◆ Power Load: 7 Kw with Heater & Blower, 3-Phase.
- ◆ Finish in International Quality
- ◆ Easy Installation as fitted on unloading table
- ◆ No Drainage to be provided
- ◆ Unloading Table with Basket Rack
- ◆ Complete Hygienic Drying without Human Touch
- ◆ Warranty free for 1 Year
- ◆ Compatible to any Dishwasher



Introduced in AAHAR 2017

**Prochef**



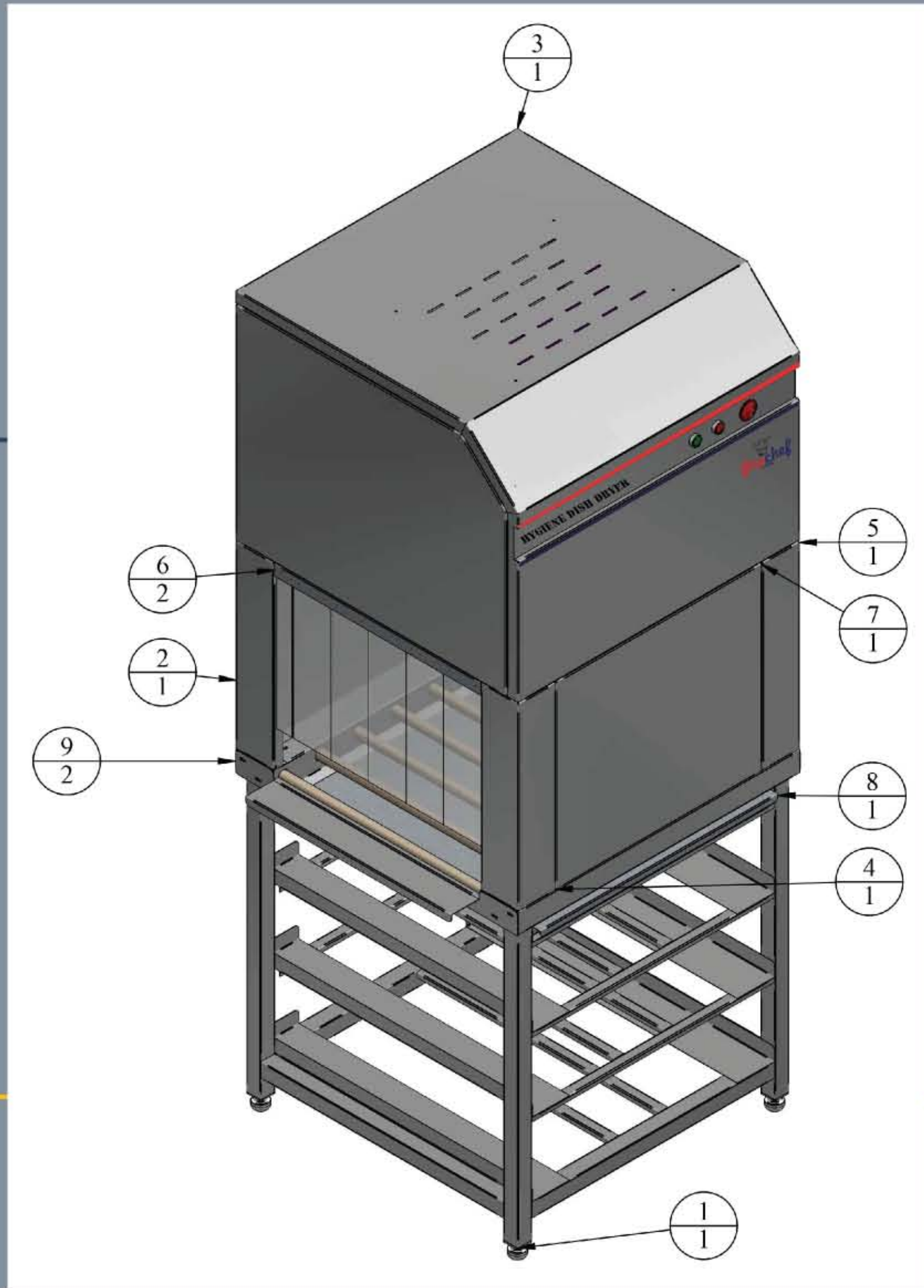
Name of the inventor – Mr. Rajiv Nayan Gupta

Field of invention - Mechanical

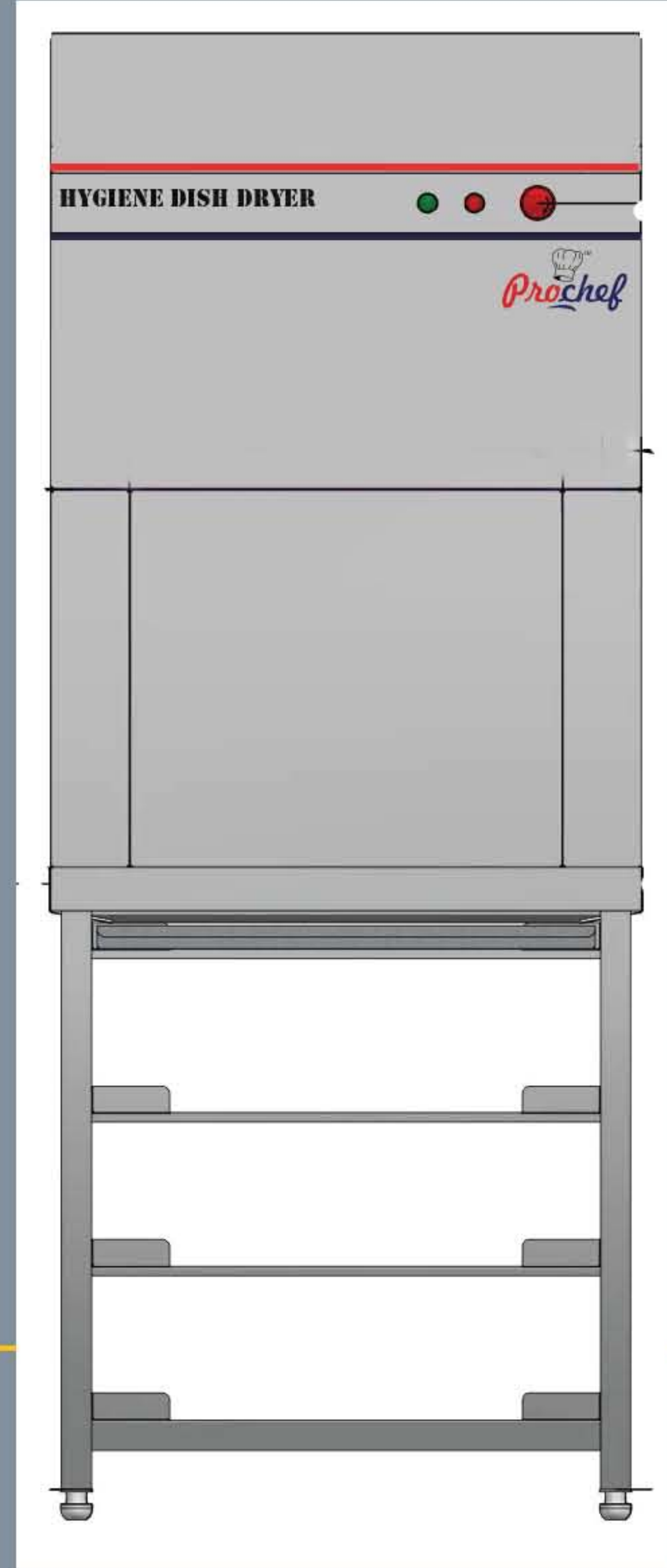
ABSTRACT OF THE INVENTION-

A dishwasher having a novel drying sequence/ procedure for the utensils washed in hood type of dryer with zero human touch to maintain maximum hygiene wherein hot Furness/ heating system Created with proper insulation material that does not to affect the outer body of the dryer by suction of atmospheric air and pressing hot mixed air with high pressure to the surface of the utensils kept in dish Dryer. A water collection tray present at the bottom is created to collect all the water contents dispensed by Wet Dishes. The existing cleaning and washing machines available today hardly provide complete drying function. From Hood Type of Dishwasher & Second Function of Hygiene Drying is completed from this invention of Dryer.

1

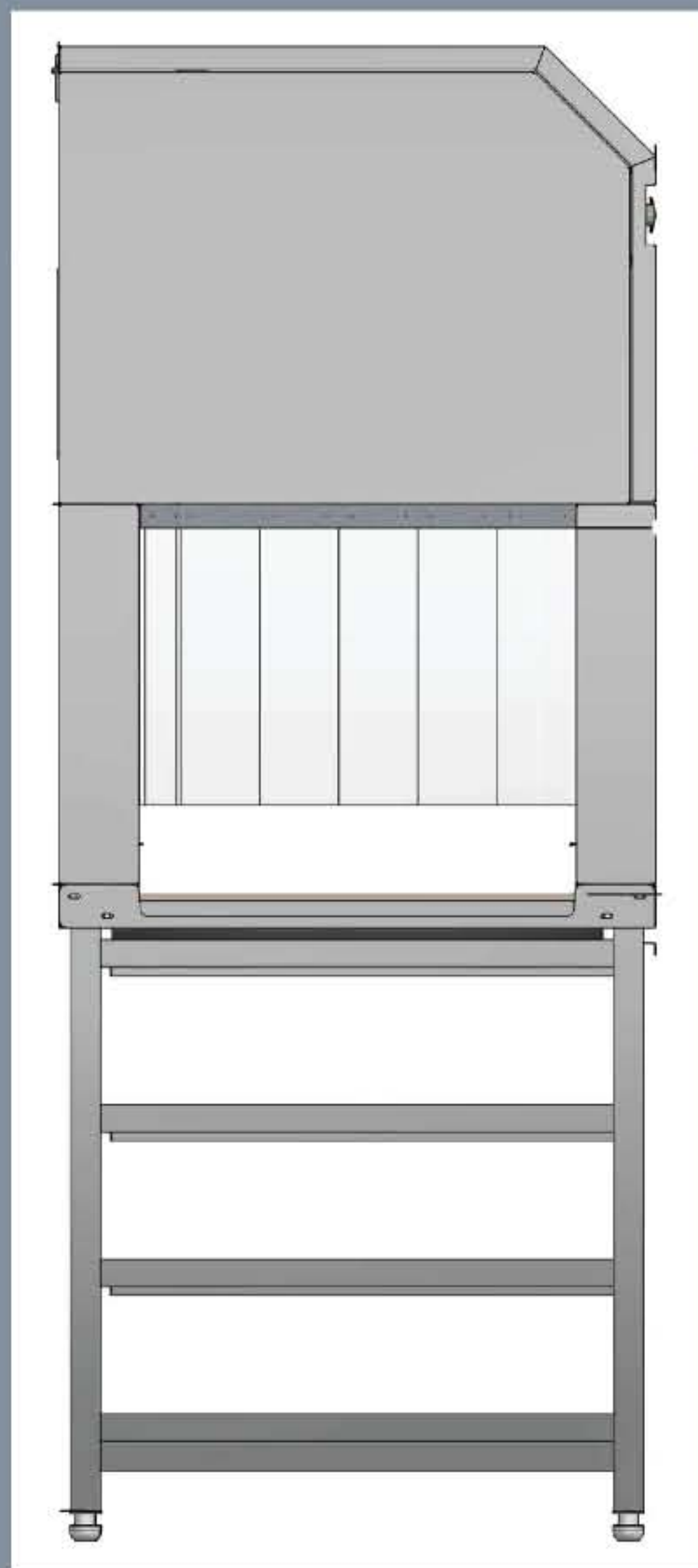


2



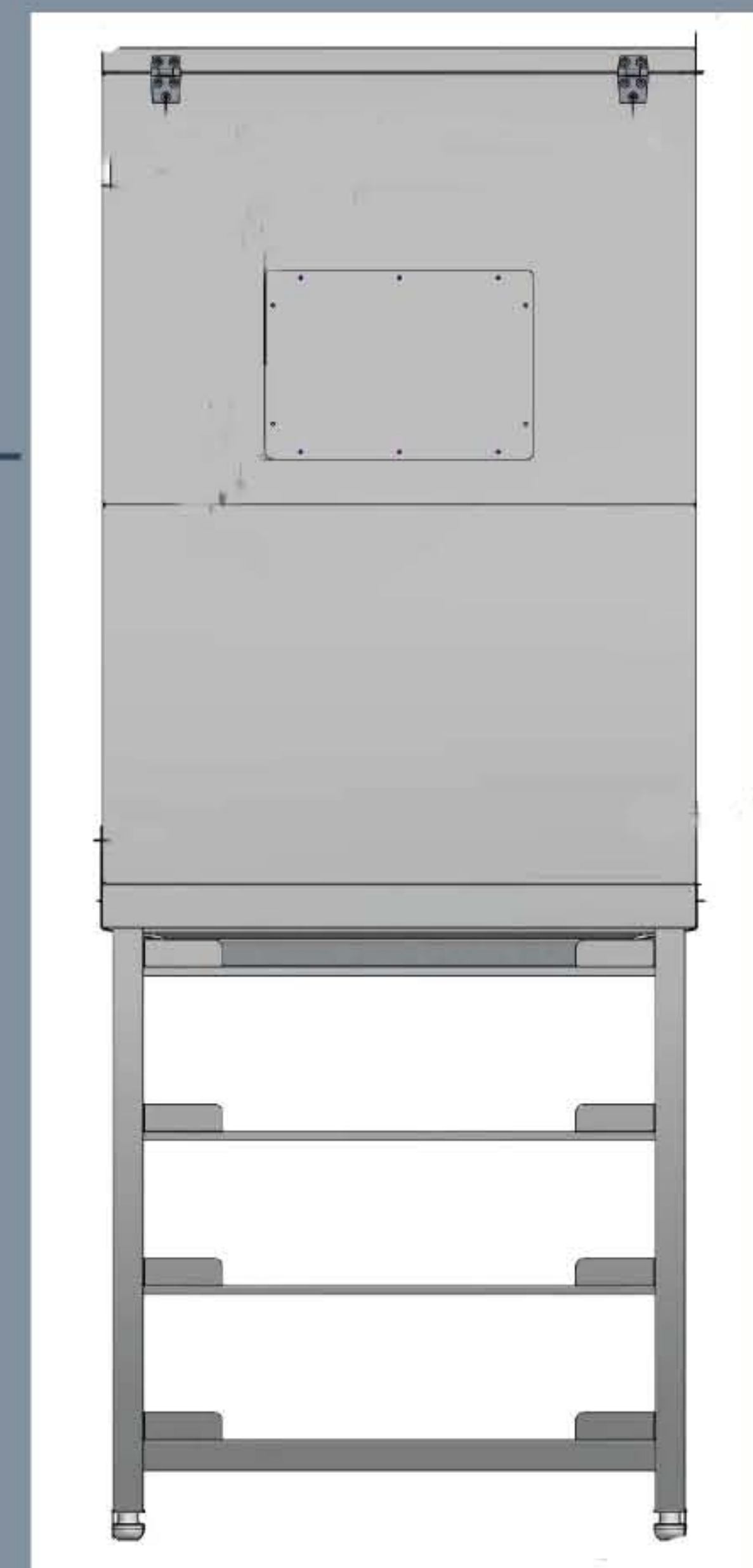
FRONT VIEW

3



RH SIDE VIEW

4



BACK SIDE VIEW

M/s. PROCHEF INTERNATIONAL EQUIPMENTS LLP

Unit No.201/202, 2nd Floor, B-Wing, Shree Annapurna Society,
Nr. Oshiwara Junction, New Link Road, Andheri (West),
Mumbai - 400 053, Maharashtra, India

T: 91-22 4264 9061, 7445 | E: sales@primekitchen.in, info@primekitchen.in
W: www.primekitchen.in | M : 89760 40408, 86550 32254



Mr. Rajiv Nayan - MD, (M: 99875 74865)